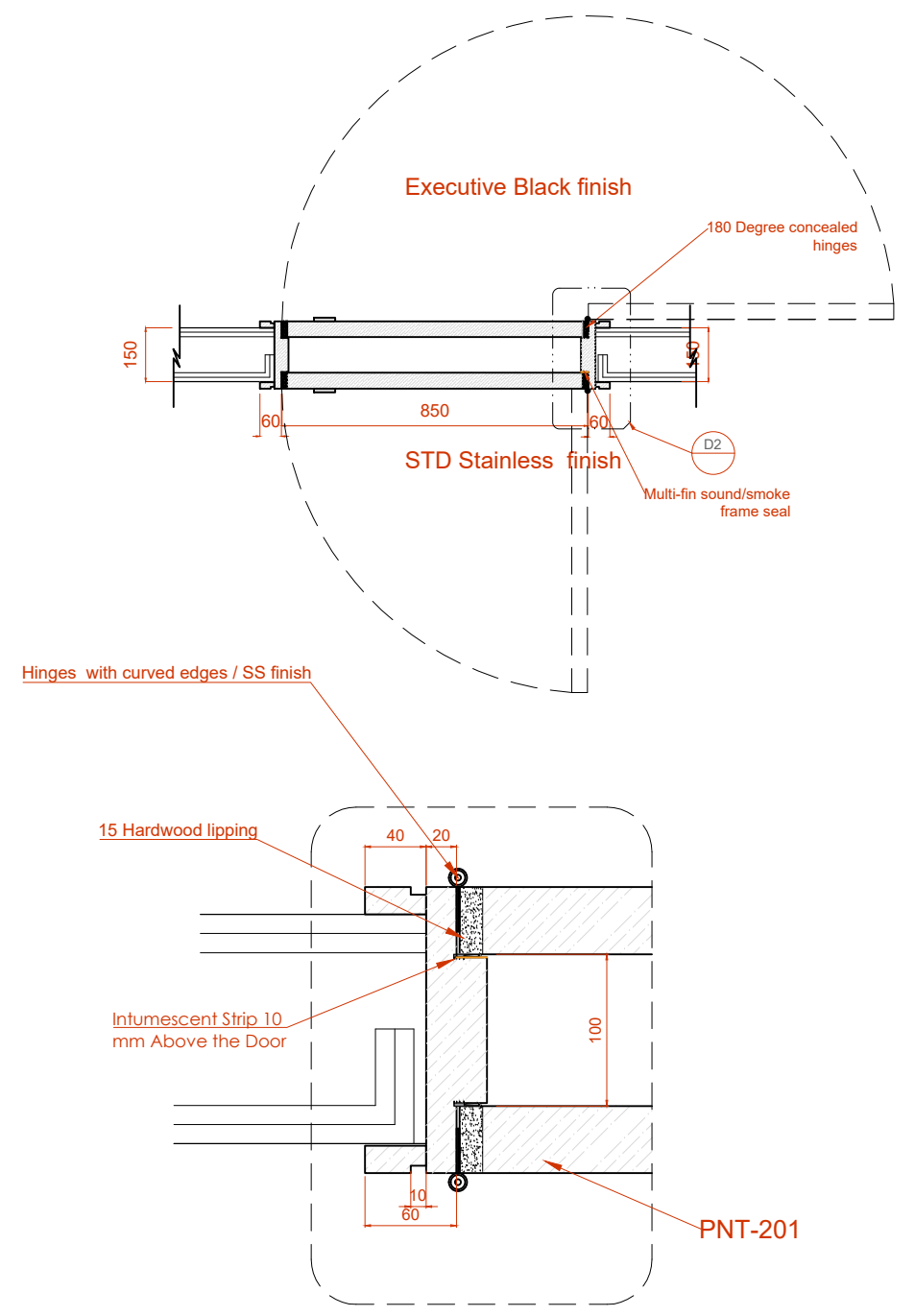
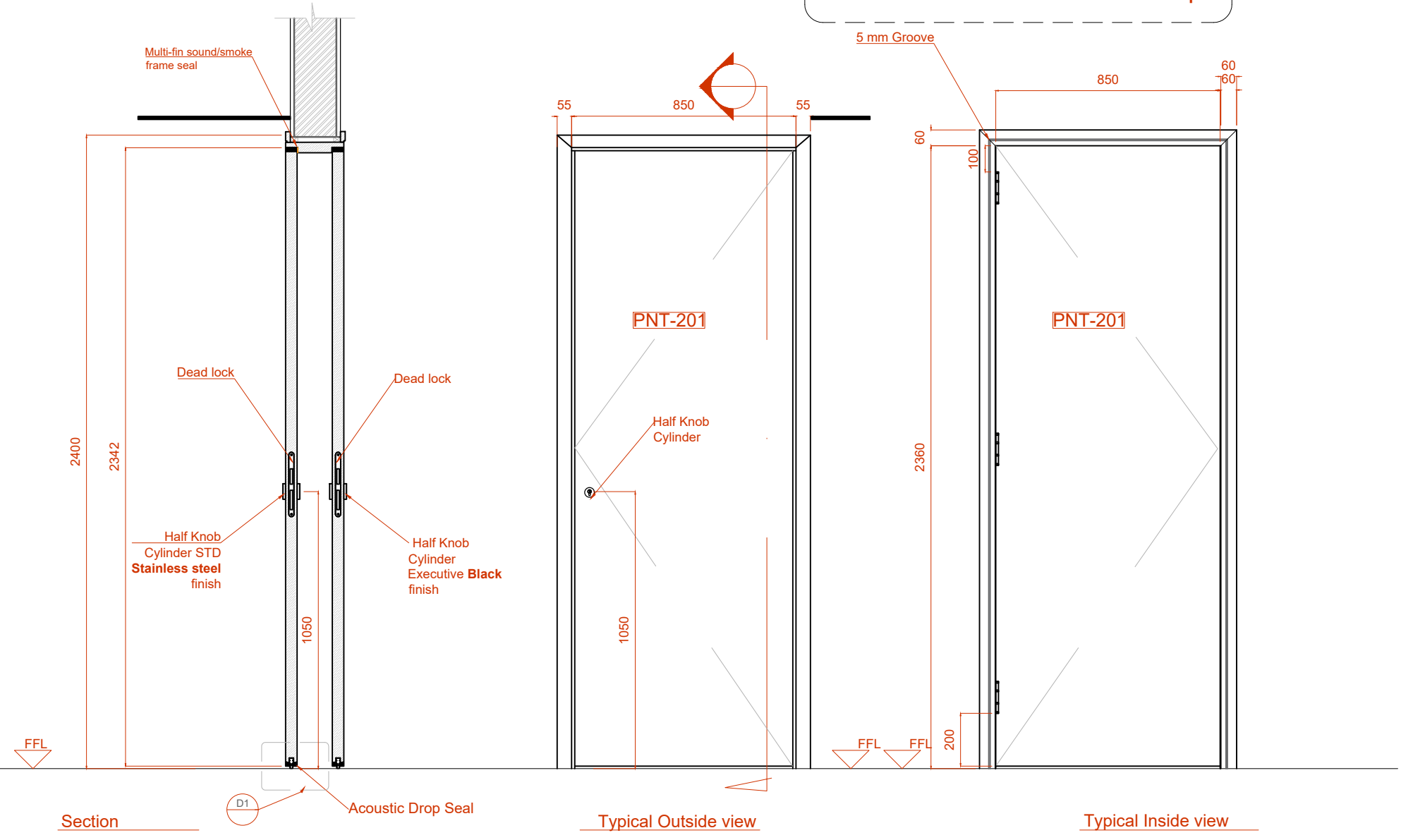
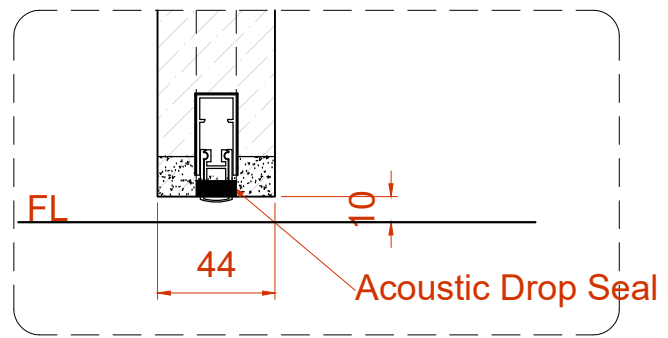


Approved with comments  
 Quantity and to be verified by joiner  
 Size to be verified on site



<b>D5b</b>	180 degree Interconnecting door		
Panel Size	850 mm W x 2342mm H x 44mm thk		
Finish	Timber panel , Timber frame to match PNT-201		
Door leaf type	Single door, Single swing flush door		
Ironmongery & Accessories	Cylinder : Half knob cylinder	BLACK FINISH (FOR EXECUTIVE SUITE SIDE)	S/STEEL OR CHROME FINISH (FOR STD ROOM SIDE)
	Hinges Type 2 : Hinges with curved edges and 180 Degree function hinges		
	Round Cylinder Escutcheons		
	Lock : Dead lock		
	Half moon floor mounted door stop X2 for each side		
Location	Executive Suites Connecting		
Total QTY	3	<div style="border: 1px solid blue; padding: 5px; display: inline-block;">           Surely this should have an acoustic and fire rating - DAA to confirm (as requested before)         </div>	
Fire Rating	NA		
Acoustic	NA		
Remarks			

